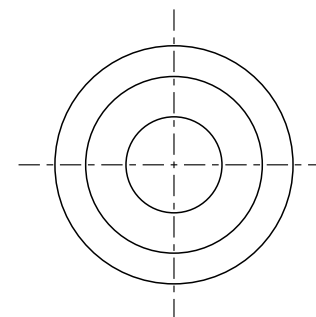
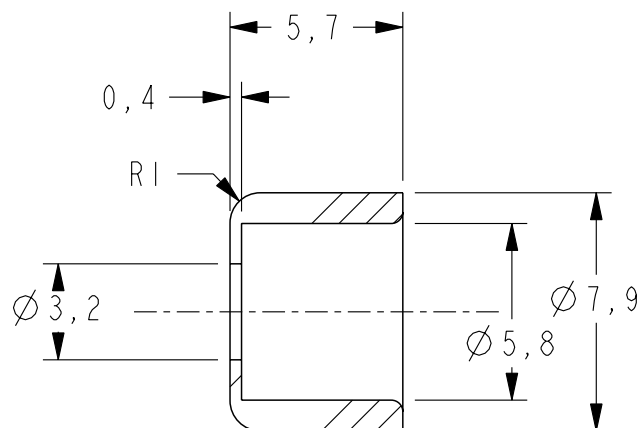




SCALE 1.000



NOTES:

- 1. MATERIAL: 55±5 DURO SHORE A NBR
- 3. VOLUME = 7.7317298e-03 INCH^3

DRAWING IS IN METRIC UNITS

JLI Electronics Inc. P.O. Box 7 Harleysville Pennsylvania 19438				.0 = ± .020	
				.00 = ± .010	
				.000 = ± .005	
				angular ± 1/2°	
DRAWN: JMS		DATE: 01-Jul-07		THIRD ANGLE PROJECTION	
APPROVED:		DATE:			
ORDER:		TOL. UNLESS OTHERWISE SPEC.			
DESCRIPTION: RUBBER MIC HOLDER				DRAWING: JLI-MIC-4	
REV.					
VENDOR: SEE NOTE		MATL: 55±/-5 NBR		WEIGHT-KGS:	
SCALE: 4.000		SHEET		SIZE A	