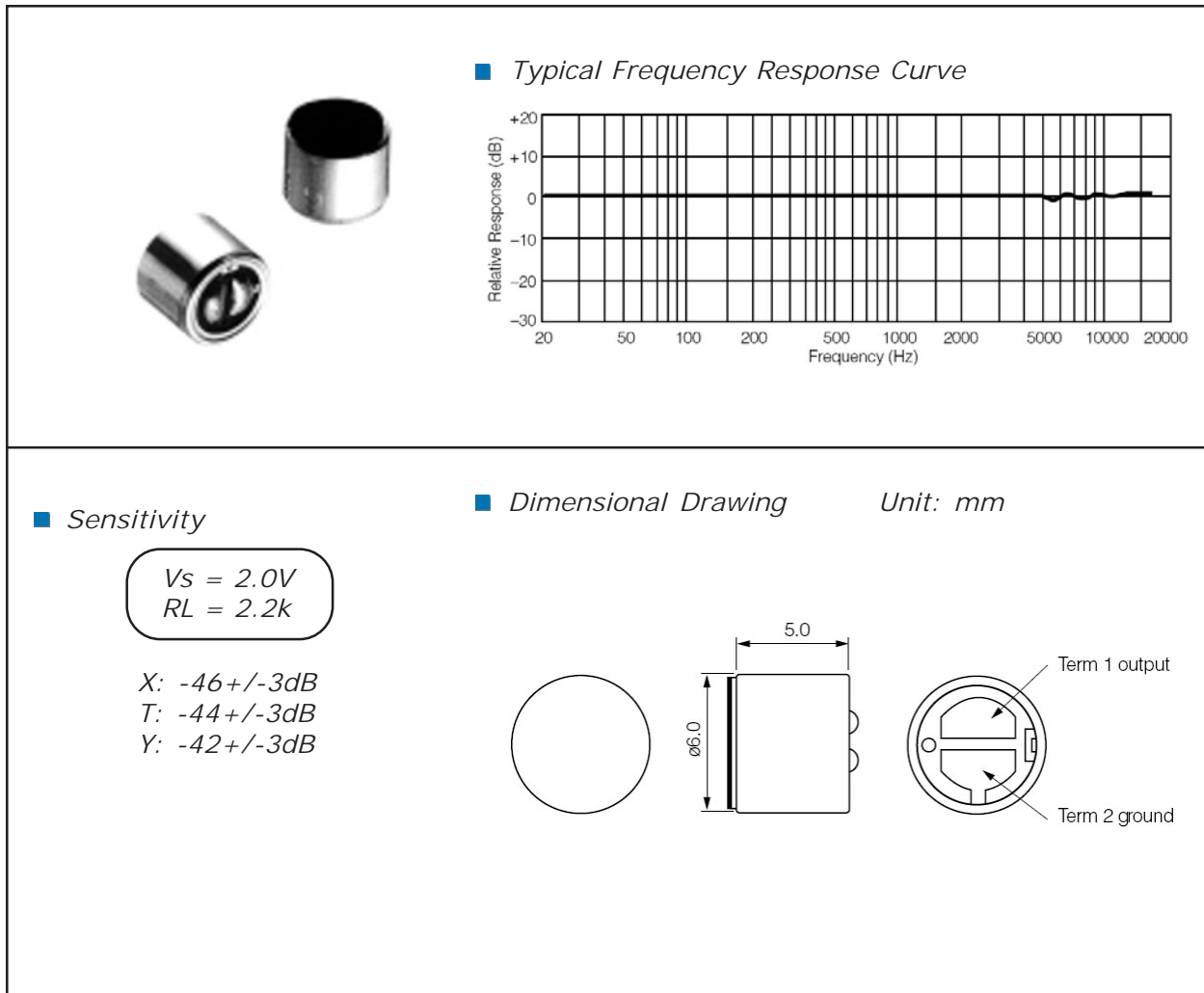


Omnidirectional Back Electret Condenser Microphone Cartridge

JLI-60A

- ✓ Small microphones for general use.
- ✓ Back electret type designed for high resistance to vibrations.



SPECIFICATIONS

Sensitivity	$-44 \pm 5dB$ ($0dB = 1V/Pa, 1kHz$)
Impedance	Less than 2.2k
Directivity	Omnidirectional
Frequency	20Hz - 20kHz
Max. operation voltage	10V
Standard operation voltage	2V
Current consumption	Max. 0.5mA
Sensitivity reduction	Within $-3dB$ @ 1.5V
Signal to noise ratio	More than 58dB

JLI Electronics Inc.

P.O. Box 7
Harleysville, PA 19438-0007 US
Phone: 215-256-3200
Fax: 215-256-1647
E-mail: info@jlielectronics.com
www.jlielectronics.com