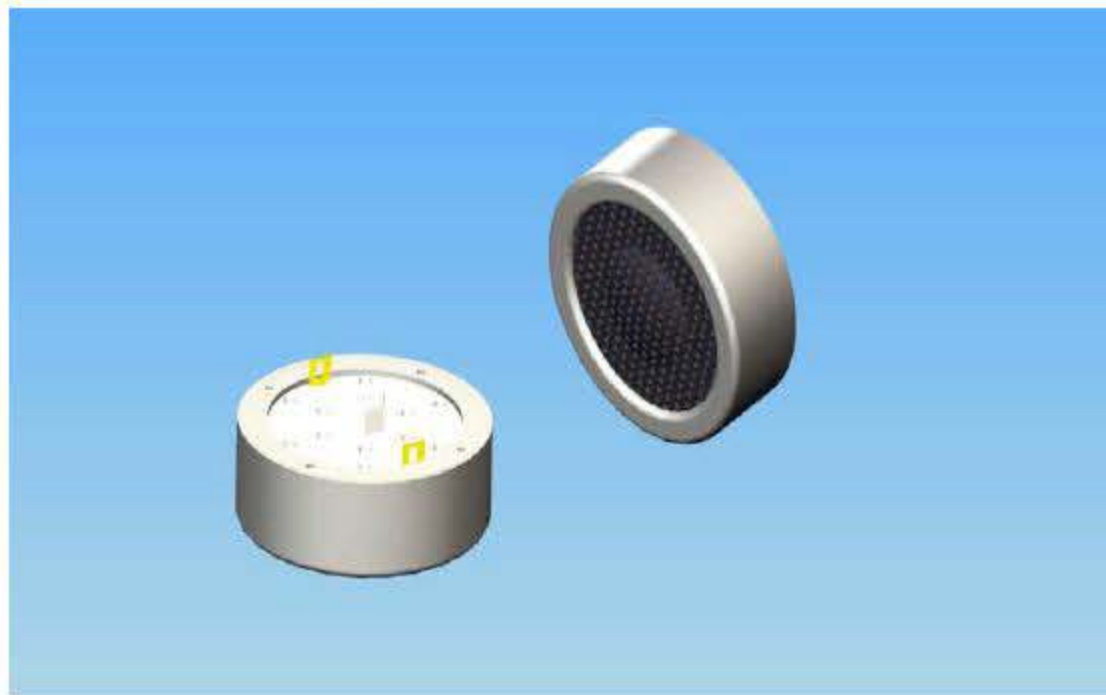


JLI-3412AU

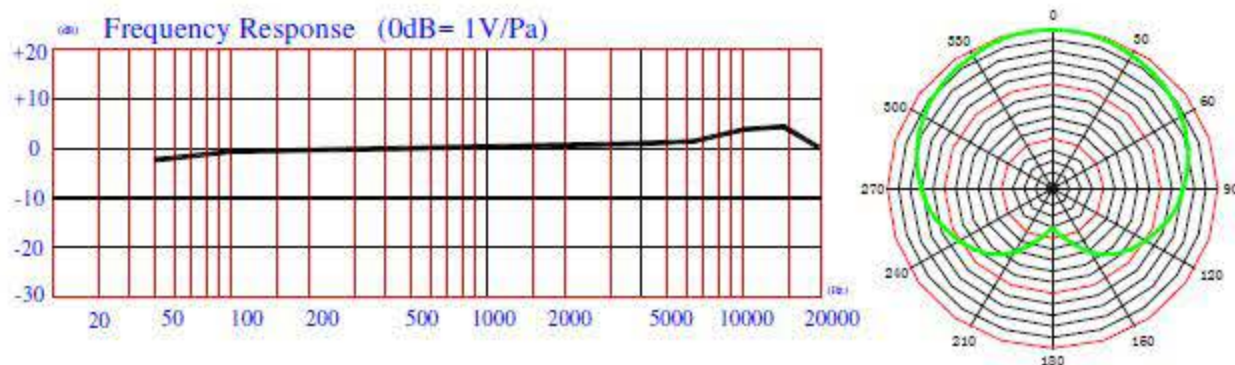
Unidirectional Back Electret Condenser Microphone



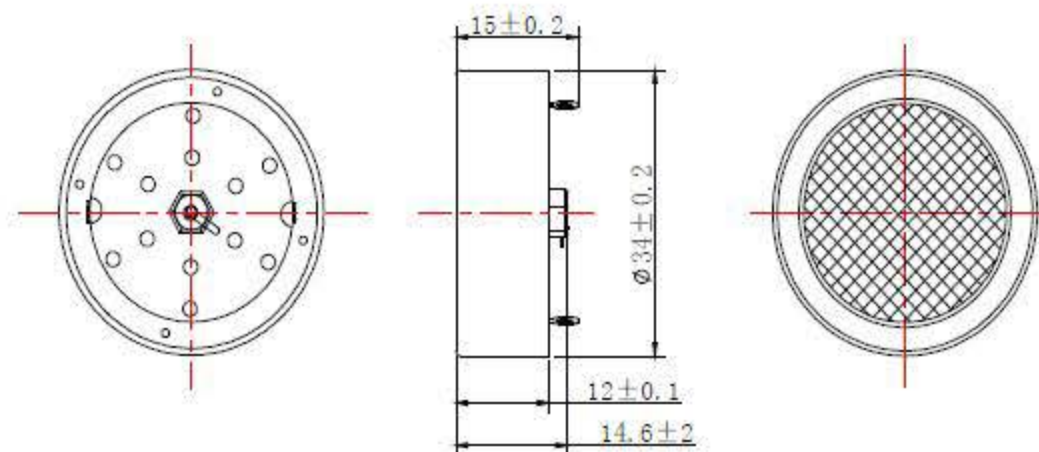
Sensitivity(1KHZ,0dB= 1v/Pa)

Z:-44 ± 3dB

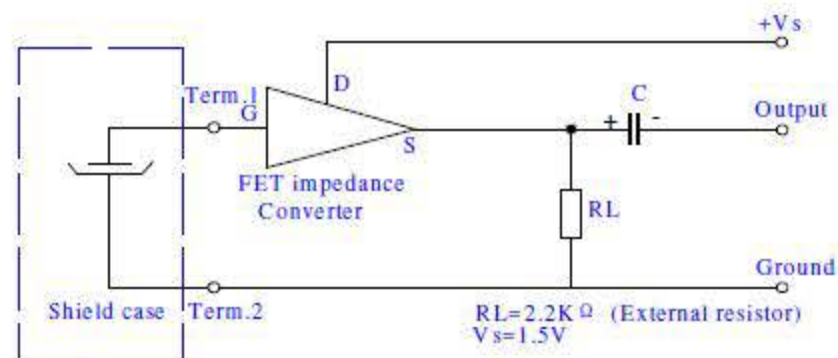
Frequency Response Curve



Dimensional(mm)



Schematic Diagram(Vs=1.5V 2.2KΩ)



Specifications

Sensitivity:	See above
Operation Voltage:	1.5V
Impedance:	≤ 2.2K Ω
Directivity:	Unidirectional
Sensitivity reduction:	≤ 3dB Vs=1.5to1.0V
S/N ratio:	≥ 70dB
Maximum input sound level:	135dB SPL