

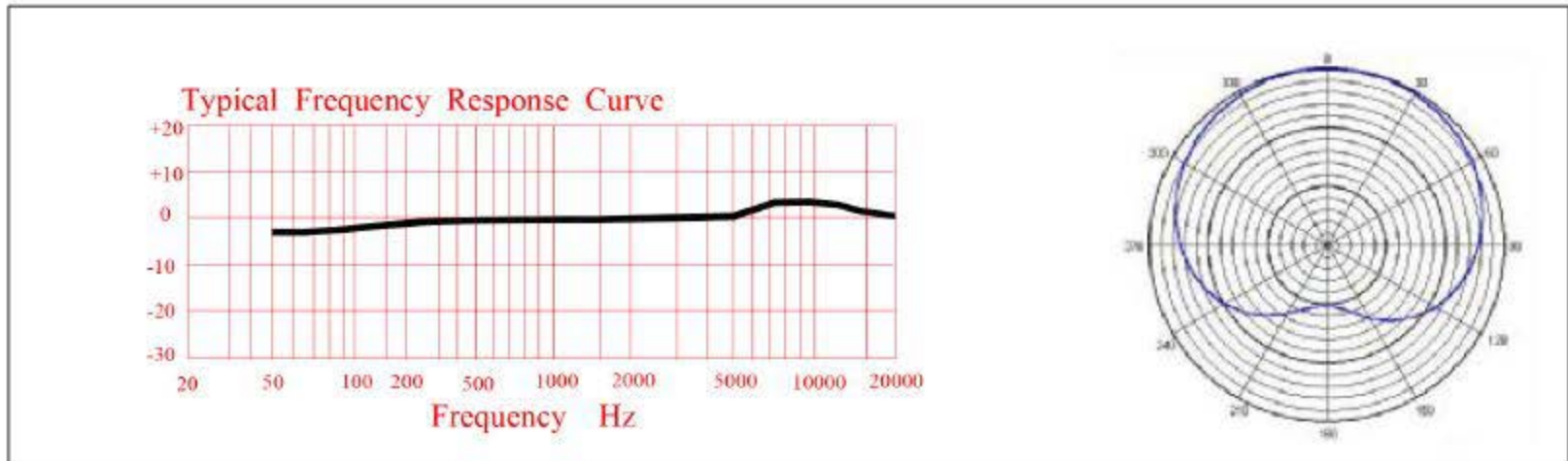
1. BACK ELECTRICAL CHARACTERISTICS

1.1 TEMP=20±2°C

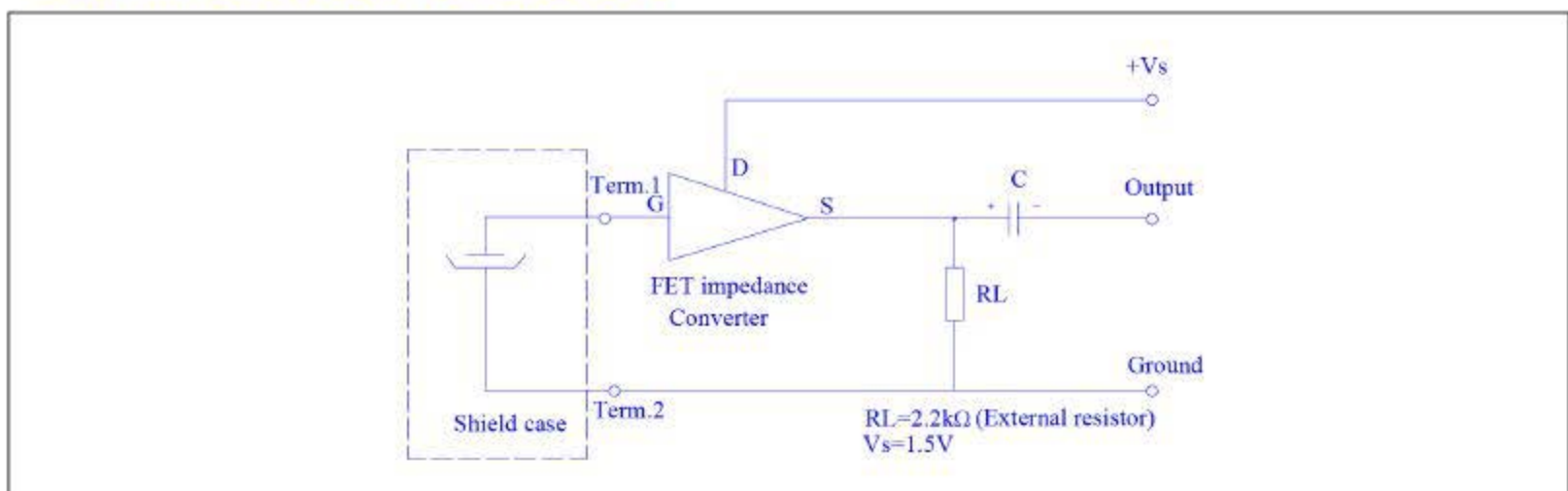
Room Humidity=65±5%

| PARAMETER | SYMBOL | CONDITION | LIMITS | | | UNIT |
|------------------------|----------------|--|--------|--------|-----|------|
| | | | Min | Center | Max | |
| Sensitivity | S | f=1KHZ,S.P.L=1Pa 0dB=1V/Pa | -45 | -42 | -39 | dB |
| Output impedance | Zout | f=1KHZ | | | 2.2 | K Ω |
| Directivity | Unidirectional | | | | | |
| Signal to Noise Ratio | S/N | S:(f=1KHz,S.P.L=1Pa) N:(A-Weighted curve) | 65 | | | dB |
| Decreasing Voltage | Δ S-VS | Vs=1.5V to1.0V | | | -3 | dB |
| Sensitivity Δ 0° ~180° | | f=1KHz,S.P.L=1Pa | 15 | | | dB |
| Operating voltage | | | 1.0 | | 10 | V |
| Maximum input S.P.L. | | f=1KHZ, THD<1% | | | 120 | dB |

1.2 TYPICAL FREQUENCY RESPONSE CURVE

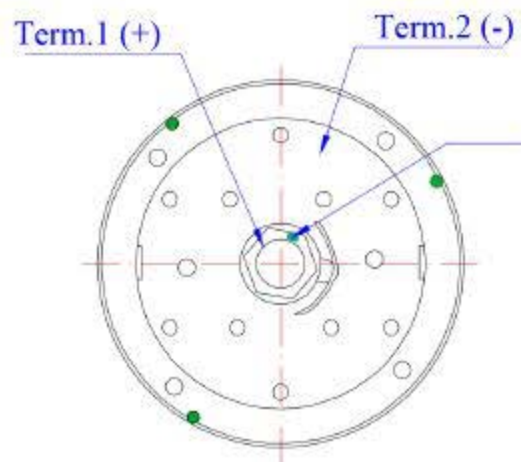
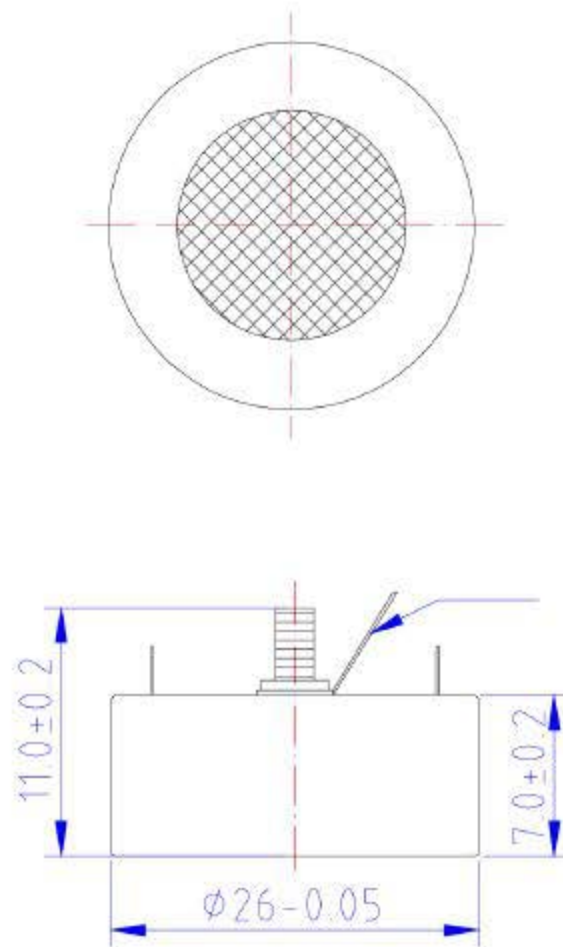


2. MEASUREMENT CIRCUIT



3. APPEARANCE & DIMENSIONS

Unit: mm



DIMENSIONS: 26×7.0 mm