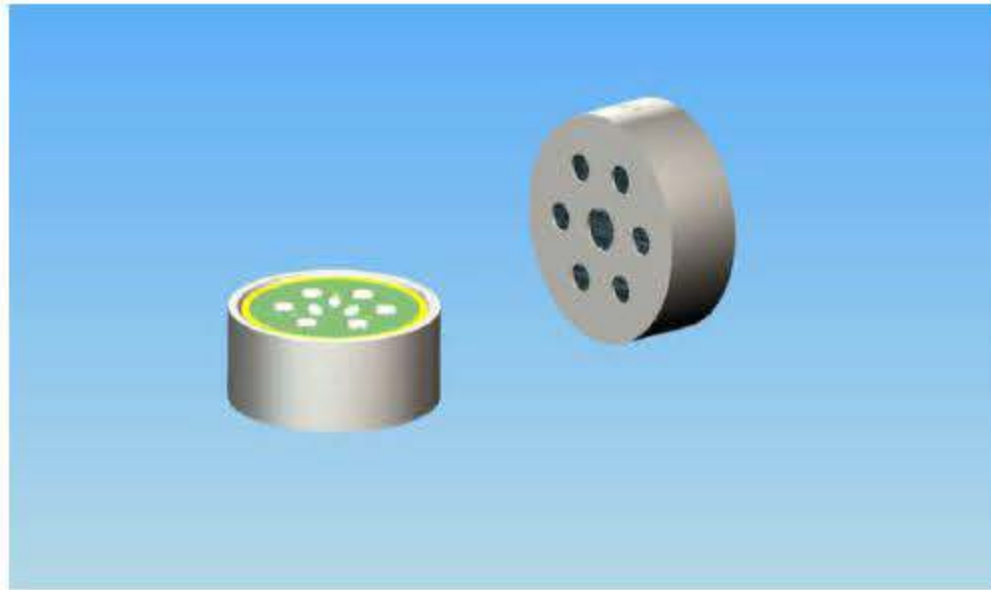


JLI-160A11UC680

Unidirectional Back Electret Condenser Microphone

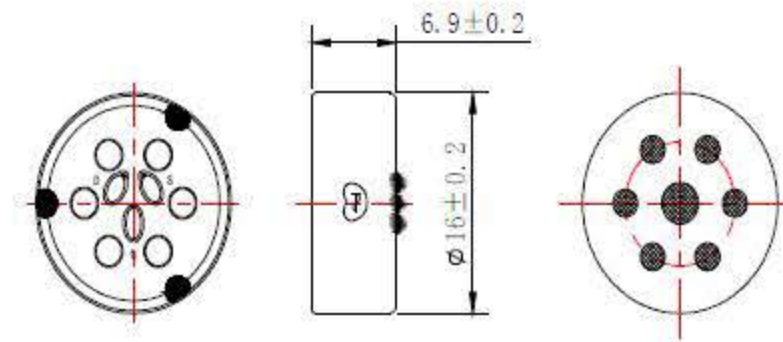
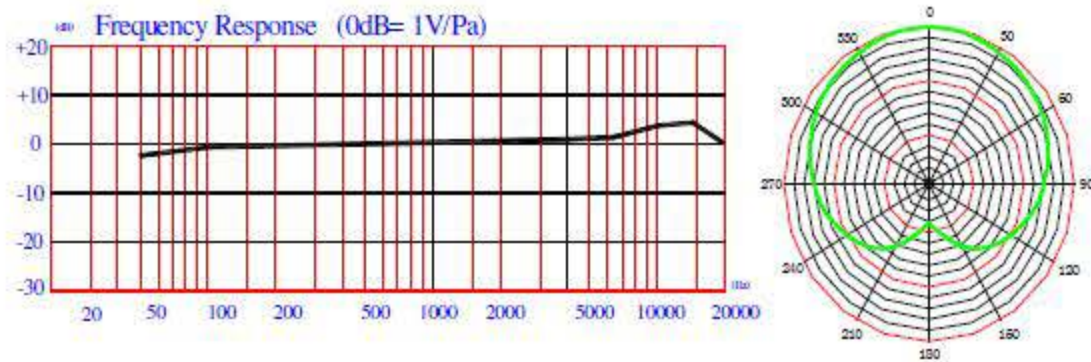


Sensitivity(1KHZ,0dB= 1v/Pa)

L:-45 ± 3dB

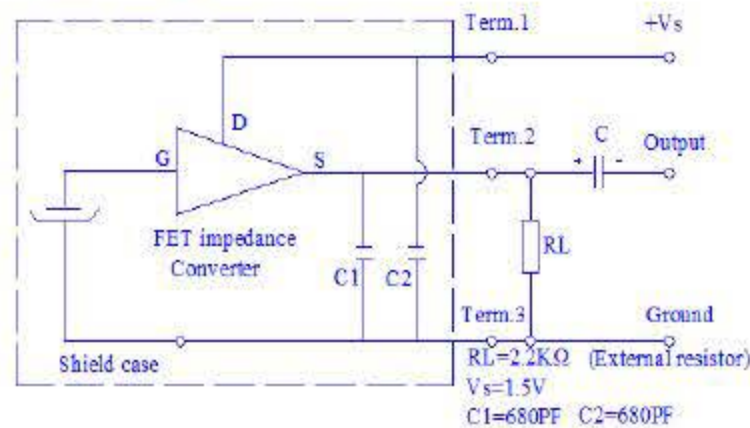
Frequency Response Curve

Dimensional(mm)



Schematic Diagram(Vs=1.5V 2.2KΩ)

Specifications



Sensitivity:	See above
Operation Voltage:	1.5V
Impedance:	$\leq 2.2K\Omega$
Directivity:	Unidirectional
Sensitivity reduction:	$\leq 3dB$ Vs=1.5to1.0V
S/N ratio:	$\geq 72dB$
Maximum input sound level:	130dB SPL