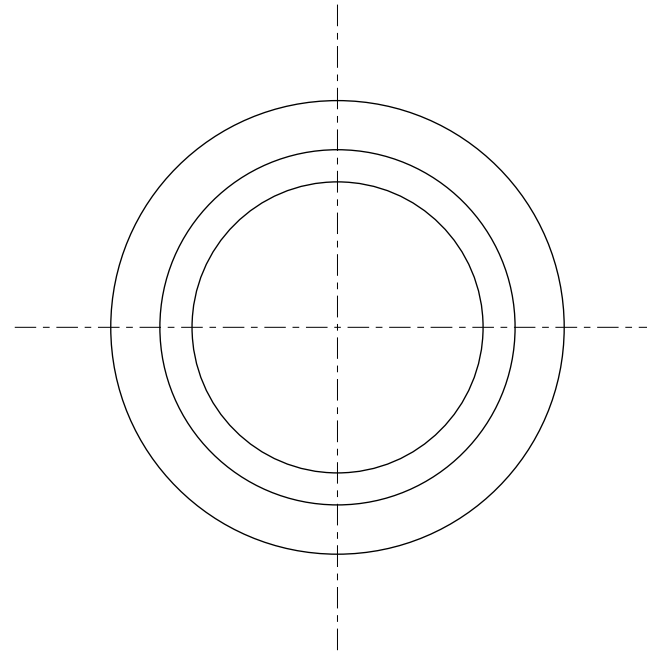
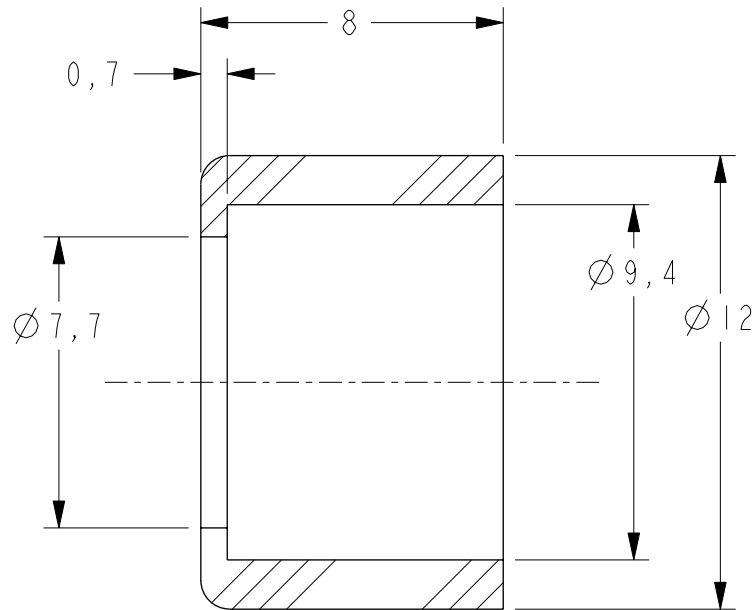


SCALE 1.000



DRAWING IS IN METRIC UNITS

<b>JLI Electronics Inc.</b> P.O. Box 7 Harleysville Pennsylvania 19438				.0 = ± .020 .00 = ± .010 .000 = ± .005 angular ± 1/2°	
DRAWN: <b>JMS</b>		DATE: 15-Jun-05		THIRD ANGLE PROJECTION	
APPROVED:		DATE: ORDER:			
DESCRIPTION: <b>RUBBER MIC HOLDER</b>					
VENDOR:		MATL:		WEIGHT-KGS:	
				SCALE: <b>5.000</b>	
SHEET		SIZE		REV.	
		A			