


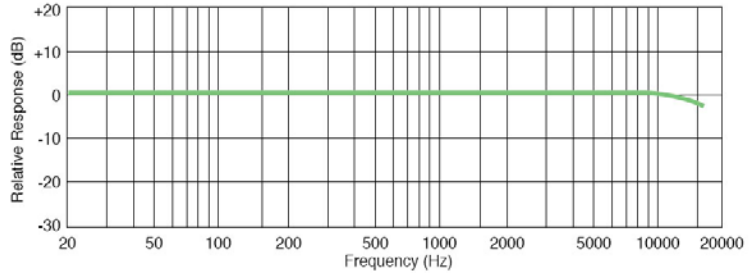
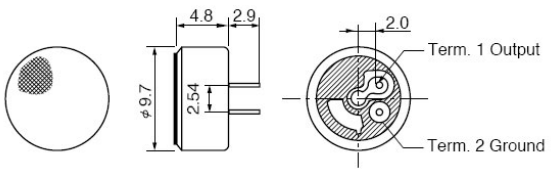
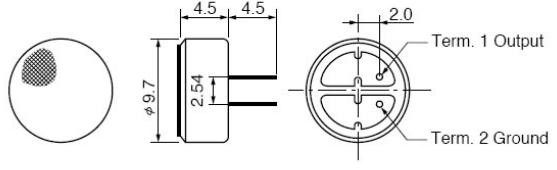
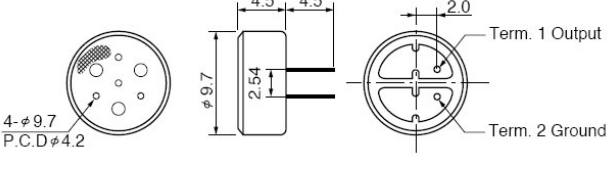


# Omnidirectional Electret Condenser Microphone Cartridge

## JLI-53BS (pin type)

## JLI-52B/54B (pin type)

- ✓ Highcost performance, electret condenser microphone cartridge.
- ✓ JLI-52B and JLI-53BS series are low-voltage 1.5V operation microphones and suitable for all telephone applications, intercoms and computers
- ✓ JLI-54B series are low-voltage 2.5V operation microphones and suitable for tape recorders, telephone devices and toys.
- ✓ JLI-53BS (5pF) - Dect, PHS, PCN, PCS etc.

<p><b>JLI-53BS</b></p>  <p><b>JLI-52B</b></p>  <p><b>JLI-54B</b></p> 	<p>■ <b>Typical Frequency Response Curve</b></p>  <p>■ <b>Dimensional Drawing Unit: mm</b></p> <div style="display: flex; flex-direction: column;"> <div style="margin-bottom: 10px;"> <p><b>JLI-53BS</b></p>  </div> <div style="margin-bottom: 10px;"> <p><b>JLI-52B</b></p>  </div> <div> <p><b>JLI-54B</b></p>  </div> </div>
<p>■ <b>Sensitivity</b></p> <p><b>JLI-53BS</b></p> <div style="border: 1px solid black; border-radius: 15px; padding: 5px; display: inline-block; margin-right: 20px;"> <math>V_s = 1.5V</math>  <math>RL = 2.2k</math> </div> <p><math>U: -40\pm 3dB</math>  <math>Z: -38\pm 3dB</math></p> <p><b>JLI-52B</b></p> <div style="border: 1px solid black; border-radius: 15px; padding: 5px; display: inline-block; margin-right: 20px;"> <math>V_s = 1.5V</math>  <math>RL = 3.0k</math> </div> <p><math>T: -44\pm 3dB</math>  <math>Y: -42\pm 3dB</math>  <math>U: -40\pm 3dB</math>  <math>M: -44\pm 2dB</math>  <math>H: -42\pm 2dB</math>  <math>P: -40\pm 2dB</math></p> <p><b>JLI-54B</b></p> <div style="border: 1px solid black; border-radius: 15px; padding: 5px; display: inline-block; margin-right: 20px;"> <math>V_s = 2.5V</math>  <math>RL = 2.2k</math> </div> <p><math>X: -46\pm 3dB</math>  <math>T: -44\pm 3dB</math>  <math>Y: -42\pm 3dB</math>  <math>U: -40\pm 3dB</math>  <math>M: -44\pm 2dB</math>  <math>H: -42\pm 2dB</math></p>	

### SPECIFICATIONS

JLI-53BS [52B] (54B)

Sensitivity	See above (0dB=1V/Pa, 1kHz)
Impedance	Less than 2.2k [3.0k] (2.2k)
Directivity	Omnidirectional
Frequency	20Hz - 16kHz
Max. operation voltage	10V
Standard operation voltage	1.5V [1.5V] (2.5V)
Current consumption	Max. 0.3mA [0.3mA] (0.6mA)
Sensitivity reduction	Within -3dB @ 1.2V [1.1V] (2V)
Signal to noise ratio	More than 60dB



P.O. Box 7  
 Harleysville, PA 19438-0007 US  
 Phone: 215-256-3200  
 Fax: 215-256-1647  
 E-mail: info@jlielelectronics.com  
 www.jlielelectronics.com