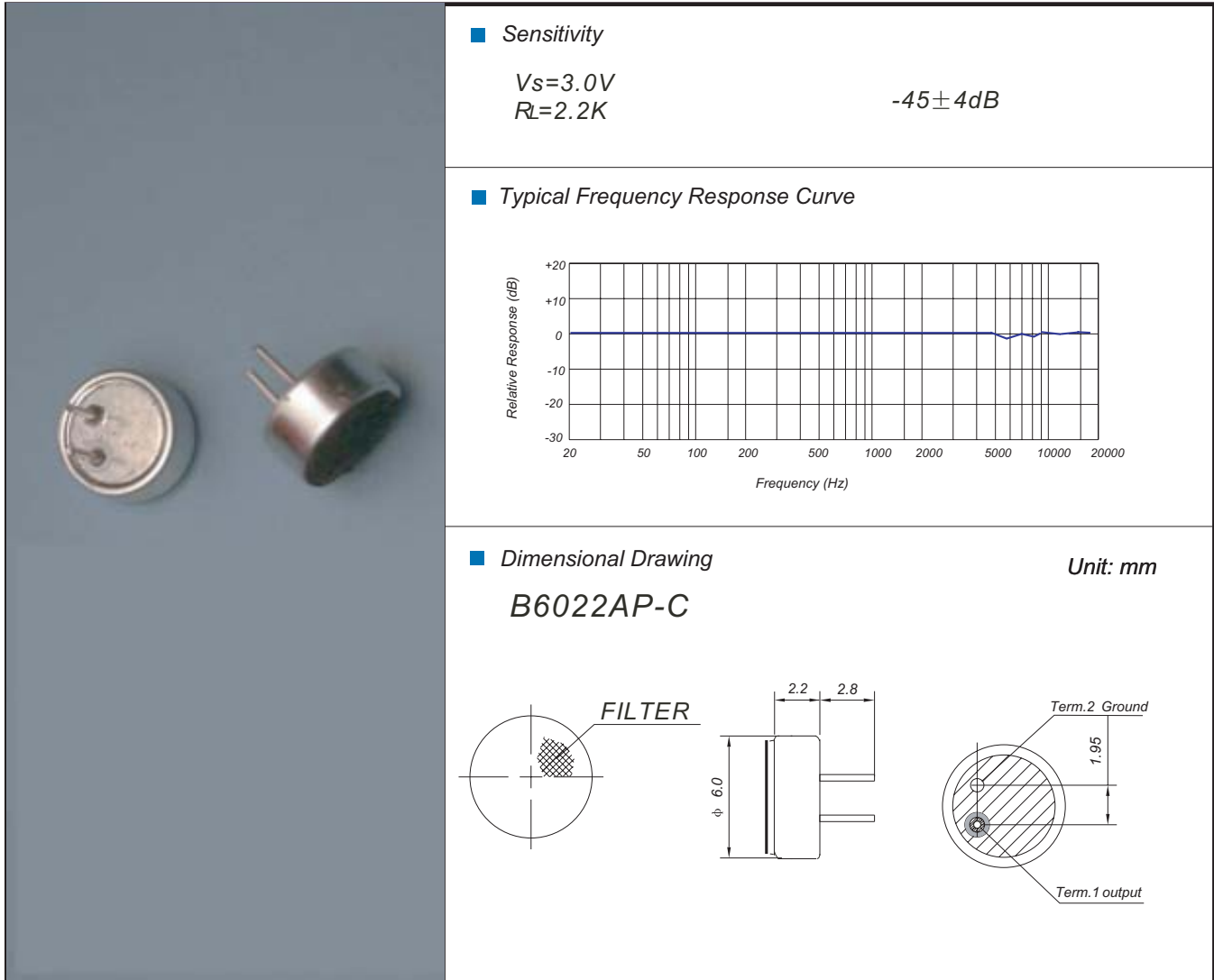


Omnidirectional Back Electret Condenser Microphone Cartridge

B6022AP-C (pin type)

- ✓ Ultra small back electret microphone
- ✓ Back electret type designed for high resistance to vibrations
- ✓ Within capacitor (10pF-dect,phs,pcn,pcs,etc.) (33pF-gsm,pdc,etc.)



SPECIFICATIONS

Sensitivity	See above(0dB=1v/Pa,1kHz)
Impedance	Less than 2.2k
Directivity	Omnidirectional
Frequency	200---16,000Hz
Max operation Voltage	10V
Standard operation voltage	3.0V
Current Consumption	0.5mA
Sensitivity reduction	Within 3dB at 1.5V
S/N Ratio	More than 58 dB

JLI Electronics Inc.

P.O. Box 7
 Harleysville, PA 19438-0007 US
 Phone: 215-256-3200
 Fax: 215-256-1647
 E-mail: info@jlielelectronics.com
www.jlielelectronics.com